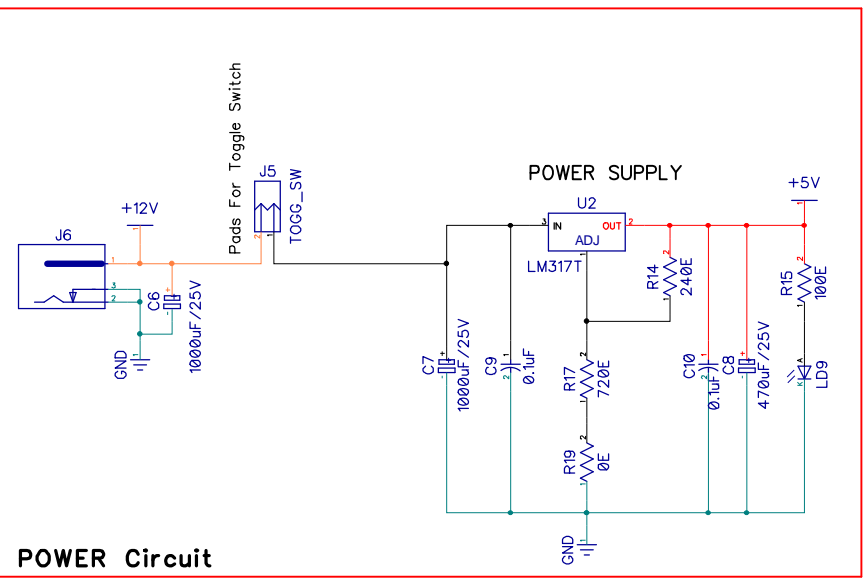
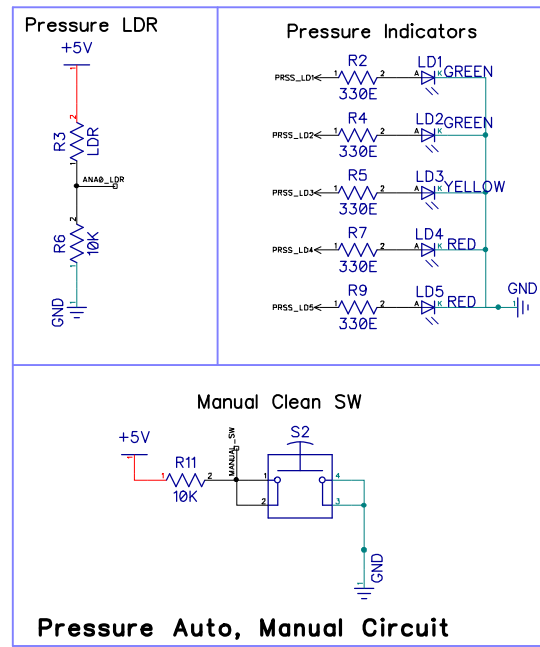
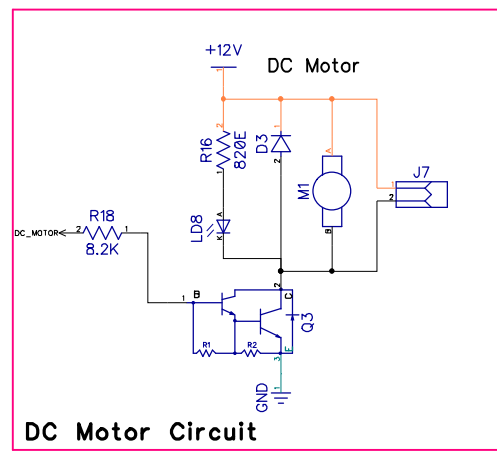


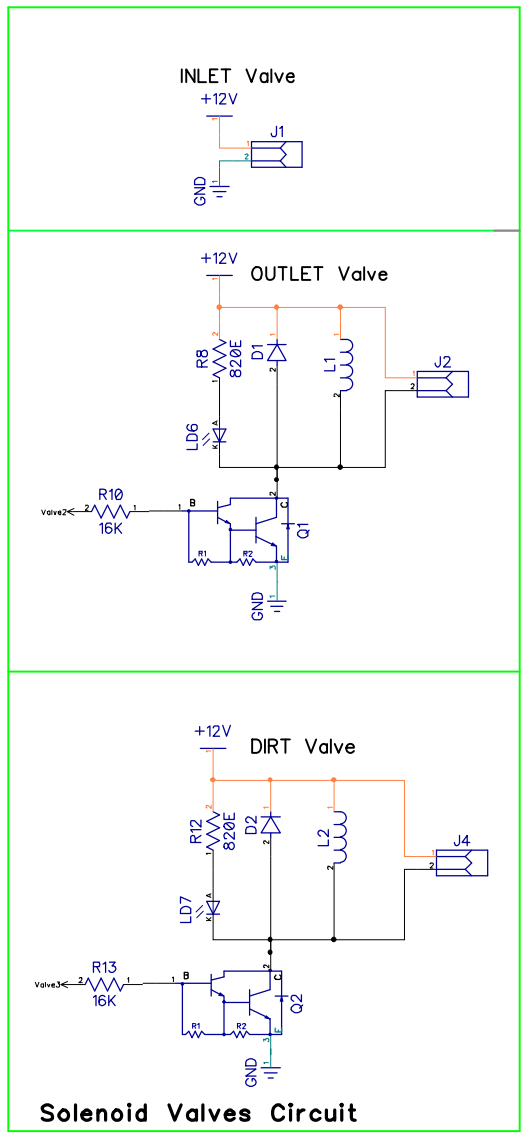
Atmega328P Circuit



POWER Circuit



DC Motor Circuit



Solenoid Valves Circuit